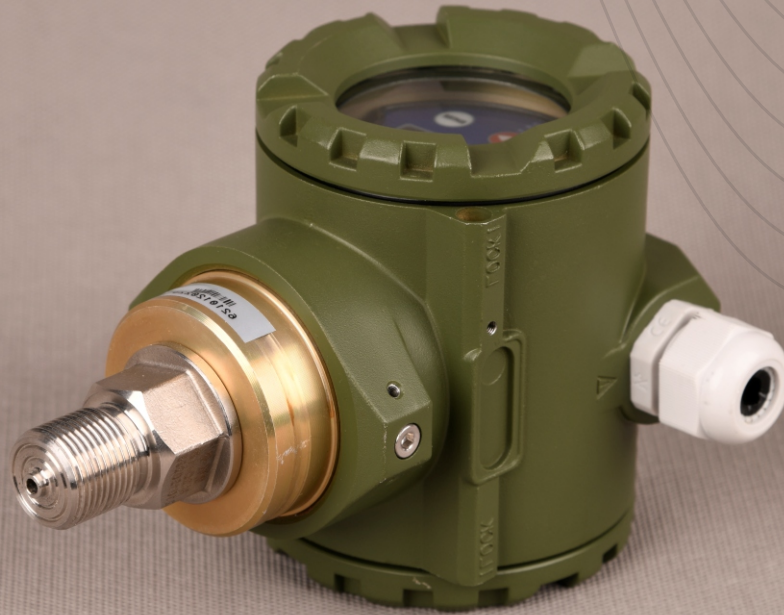


Touch the sensitivity...

ADAFLOW



APT880

Explosion Proof
Pressure Transmitter

www.adaflow.com.tr



Flowometer

Addr: 19th floor, no:99, Buyukdere Rd, Istanbul - Turkey. **Tel:** +90 (537) 289 4118

 www.adaflow.com |  info@adaflow.com

APT880 Explosion Proof Pressure Transmitter



Description

APT880 intelligent pressure transmitter adopted compensation technology of digital circuit, the output is 4-20mA, with HART optional, stainless steel sealed construction with LCD display, suitable for all kinds of industrial process measuring and controlling.

Application

- Petroleum and chemical
- Seam flow
- Hydraulic controlling

Feature

- Digital circuit compensation technology
- Intrinsically safe
- High accuracy, high stability
- Explosion proof shell with LCD display
- Output is 4-20mA, and load HART protocol



Specification



- **Range:** 0 ~ 50mbar to 0 ~ 1000bar
- **Accuracy:** 0.1%, 0.25%FS, 0.5%FS
- **Linear:** 0.02%FS
- **Over pressure:** 150%FS
- **Output:** 4 ~ 20mA, Hart optional
- **Input voltage:** 24 (12-36) DC
- **Operation Temperature:** -40 ~ 125°C
- **Temperature compensation:** -10 ~ 70°C
- **Explosion class:** ExibII CT4
- **Electric Connector:** Terminal block
- **Process Connector:** M20x1.5, clamp, flange (optional)

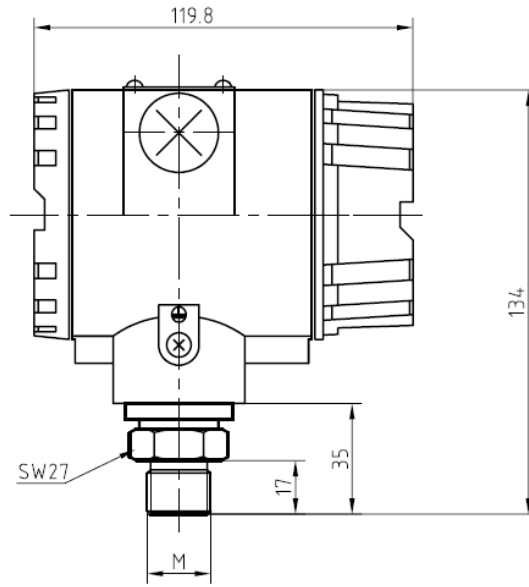
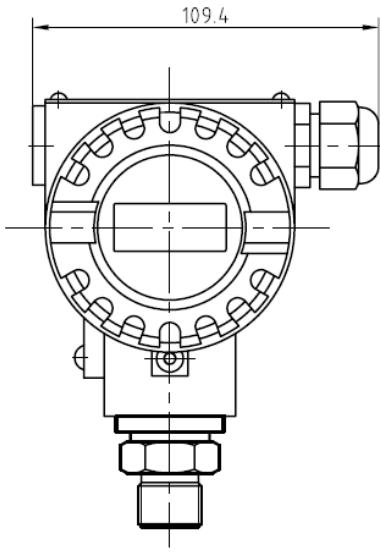
Wiring Code

Remove the LCD display part, and then you will see there are terminals inside as below, please connect cables according to the wiring code.

Terminal OUT+ Power Red
Terminal OUT- Signal Black
Terminal TEST +
Terminal TEST -

Remarks: The TEST just for current testing purpose if necessary.

Dimension



ADAFLOW
Touch the sensitivity...